

Mango-DSC(S3C2416) RS485/422

테스트 방법

<http://www.mangoboard.com/>

<http://cafe.naver.com/embeddedcrazyboys>

Crazy Embedded Laboratory

Document History

Revision	Date	Change note

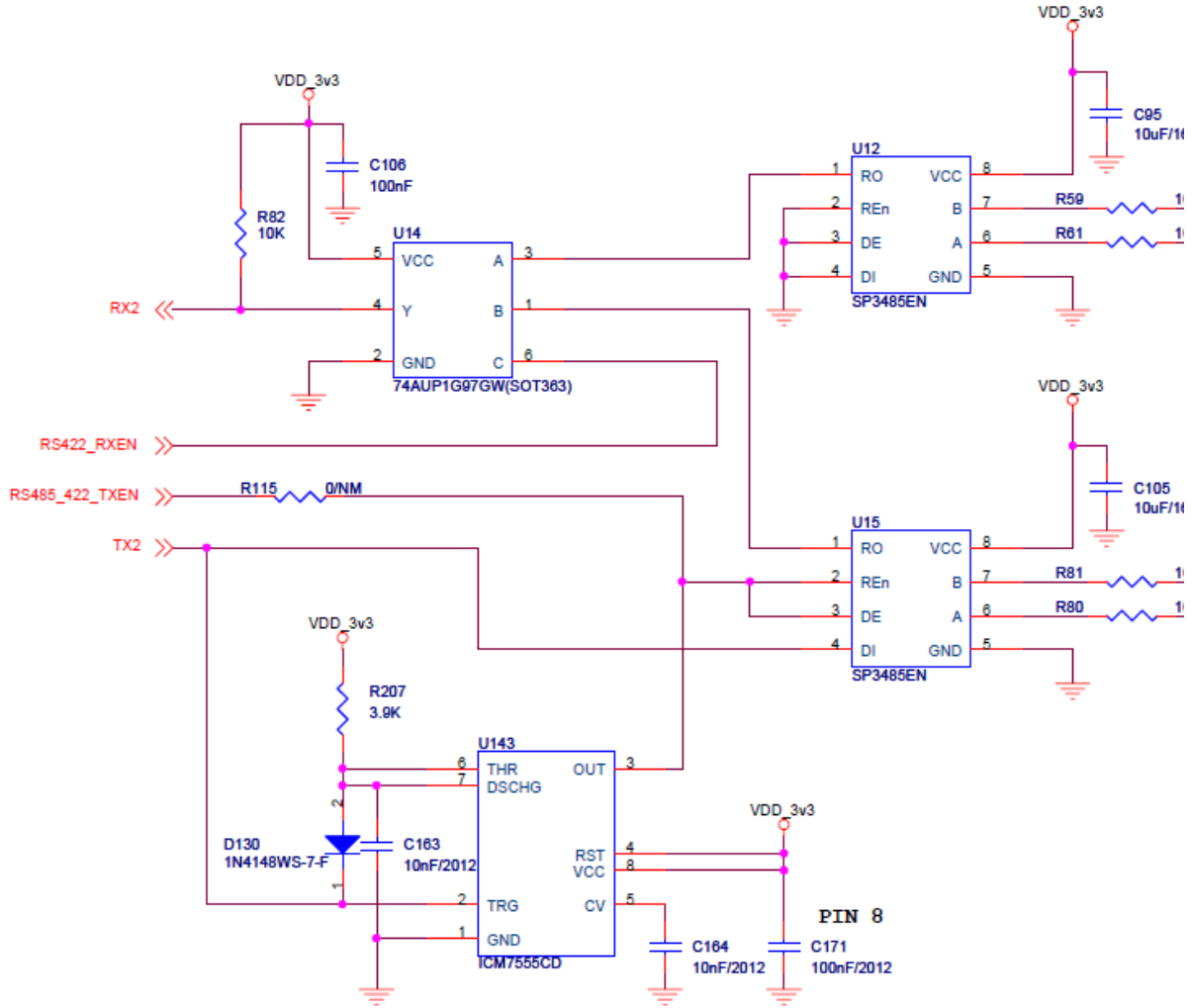
목차

1. RS485/422 테스트 방법	4
---------------------------	---

1. RS485/422 테스트 방법

<2013 12 04 테스트>

RS-485

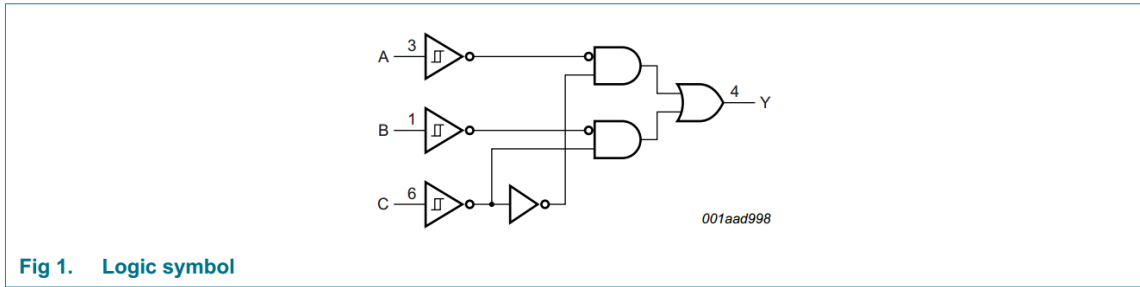


U15가 485쪽 입니다. RX쪽 74AUP1G97GW칩의 게이트를 보게 되면 아래와 같습니다.

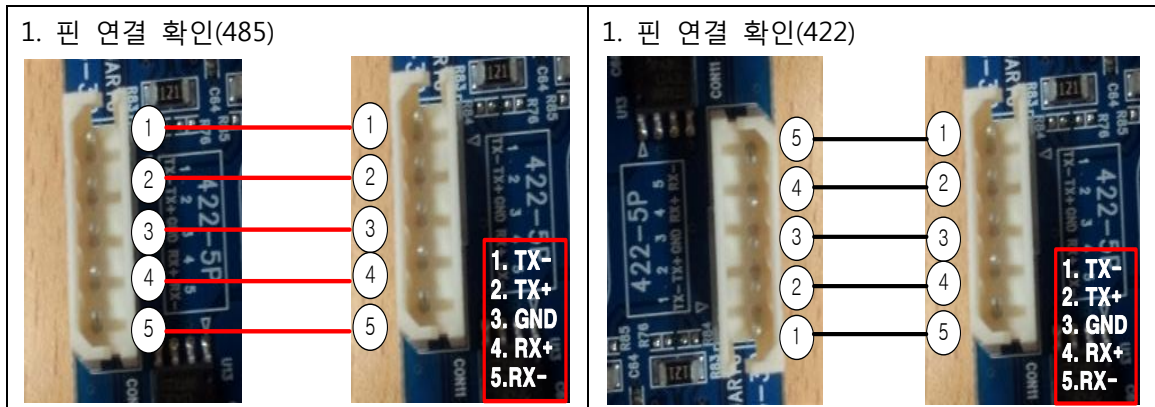
C로 A를 받을건지, B를 받을 건지, 선택할수 있는 것입니다.

고로, RS485로 하려면, C가 0이어야 하고, RS422를 받으려면 C가 1이어야 합니다.

5. Functional diagram



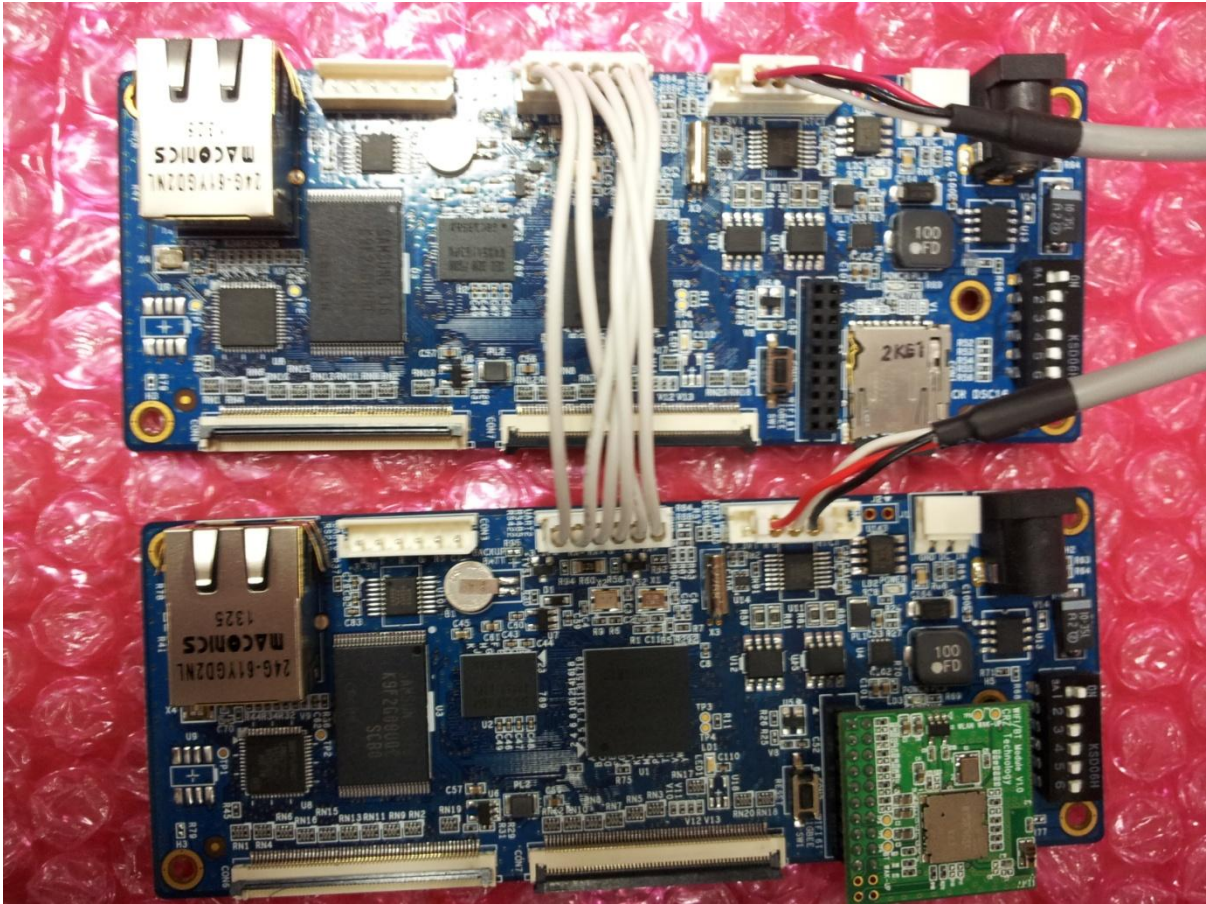
그 의 맞게 RS485 테스트 소스 수정 합니다.



스위치는 둘 다 1번만 On하시면 됩니다. 이외의 버튼은 조작할 필요가 없습니다.

아래 케이블은 422 케이블 연결한 것 입니다.

422용 485용 케이블 두개 제작되어 있습니다.



RS485 테스트

보드1	보드2
<pre># ./rs485_test 485 9600 /dev/ttySAC2 Send Message : Received read_message : 0x61: a Received read_message : 0x61: a Received read_message : 0x61: a Received read_message : 0x6e: n Received read_message : 0x62: b0x76: v Received read_message : 0x61: a Received read_message : 0x78: x Received read_message : 0x63: c Received read_message : 0x76: v Received read_message : 0x6e: n Received read_message : 0x61: a0x73: s0x64: d0x66: f Received read_message : 0x61: a0x73: s0x64: d0x66: f</pre>	<pre># ./rs485_test 485 9600 /dev/ttySAC2 Send Message : a Send Message : a Send Message : a Send Message : n Send Message : bv Send Message : a Send Message : x Send Message : c Send Message : v Send Message : n Send Message : asdf Send Message : asdf Send Message : Received read_message : 0x61: a0x73: s0x64: d0x66: f0x67: g</pre>

asdfg	Received read_message : 0x61: a0x73: s0x64: d0x66: f
Send Message : asdf	Received read_message : 0x61: a0x73: s0x64: d0x66: f
Send Message : asdf	Received read_message : 0x61: a0x73: s0x64: d0x66: f
Send Message : asdf	Received read_message : 0x61: a0x73: s0x64: d0x66: f
Send Message : asdf	Received read_message : 0x61: a0x73: s0x64: d0x66: f
Send Message : asdf	Received read_message : 0x61: a0x73: s0x64: d0x66: f
Send Message : a	Received read_message : 0x61: a0x73: s0x64: d0x66: f
Send Message : a	Received read_message : 0x61: a0x73: s0x64: d0x66: f
Send Message : a	Received read_message : 0x61: a0x73: s0x64: d0x66: f
Send Message : a	Received read_message : 0x61: a0x73: s0x64: d0x66: f
Send Message : s	Received read_message : 0x61: a0x73: s0x64: d0x66: f
Send Message : d	Received read_message : 0x61: a0x73: s0x64: d0x66: f
Send Message : f	Received read_message : 0x61: a
Send Message : g	Received read_message : 0x61: a
Send Message : a	Received read_message : 0x61: a
Send Message : s	Received read_message : 0x61: a
Send Message : d	Received read_message : 0x73: s
	Received read_message : 0x64: d
	Received read_message : 0x66: f
	Received read_message : 0x67: g
	Received read_message : 0x61: a
	Received read_message : 0x73: s
	Received read_message : 0x64: d

<RS485 테스트 명령>

./rs485_test 485 9600 /dev/ttySAC2

<RS422 테스트 명령>

./rs485_test 422 9600 /dev/ttySAC2

./rs422_test 9600 /dev/ttySAC2 [Full]